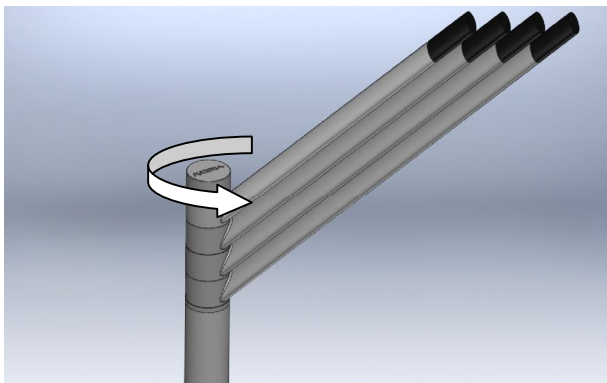


Array

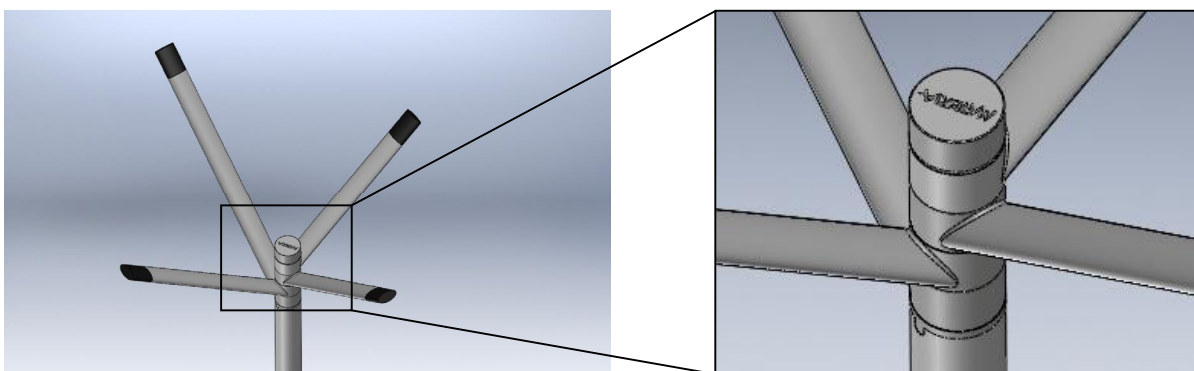
-Assembly instructions.

1. Loosen the end caps in both ends.



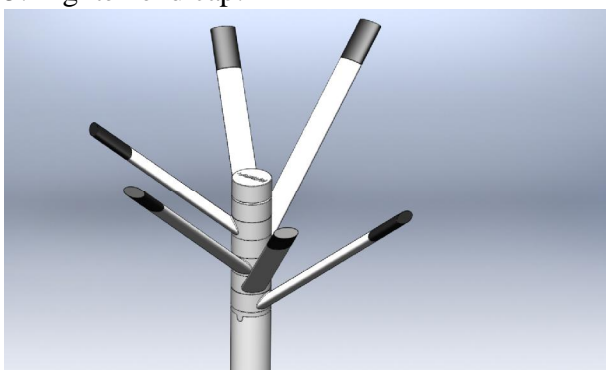
2. Orient legs (Note that the legs need to be oriented exactly like picture in order to get maximum stability).

3. Tighten the end cap.



4. Orient hooks.

5. Tighten end cap.



MATERIA®

Materia AB
Box 340
573 24 TRANÅS