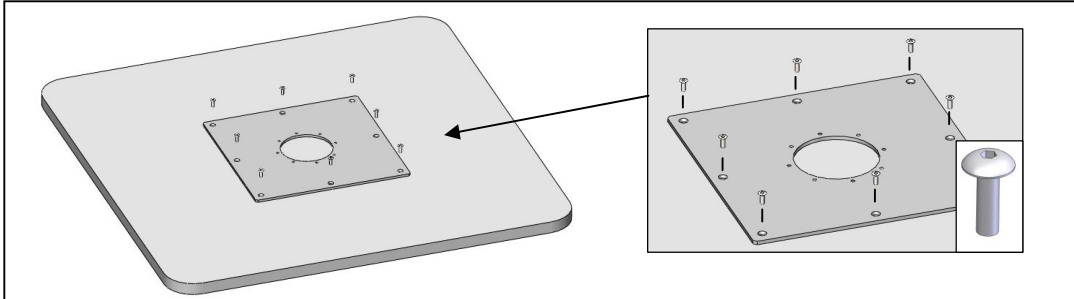


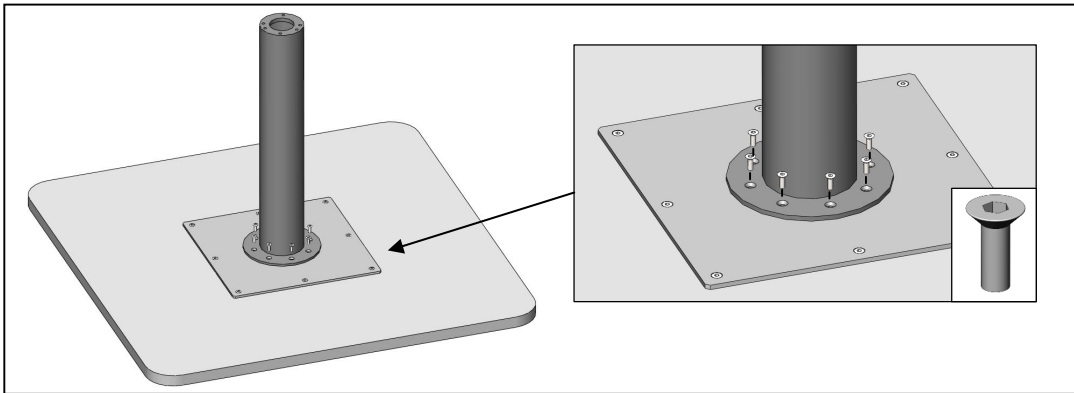
# Centrum Table 1504

-Assembly instructions.

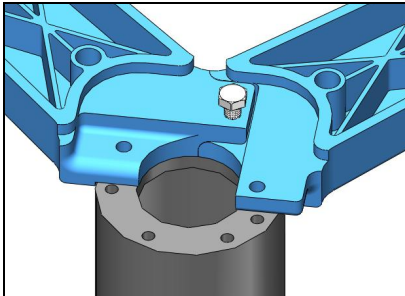
1.



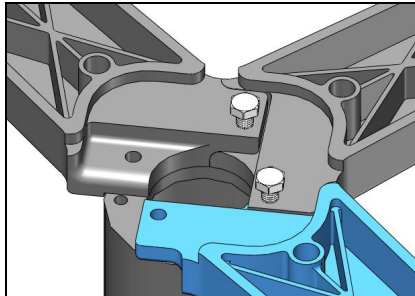
2.



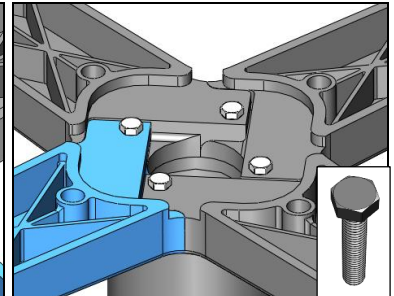
3a.



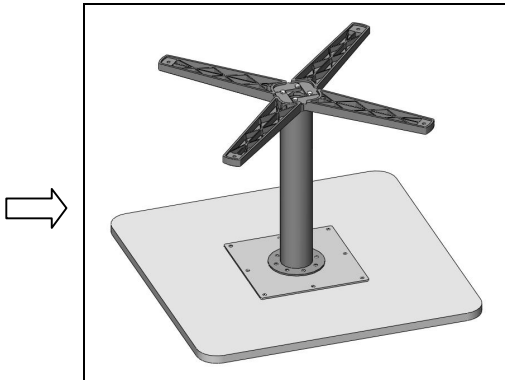
3b.



3c.



4.

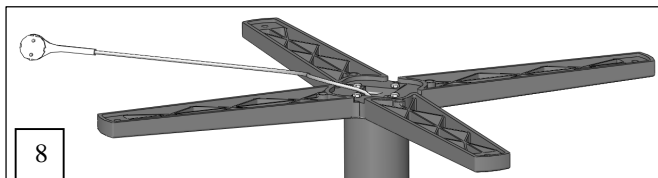
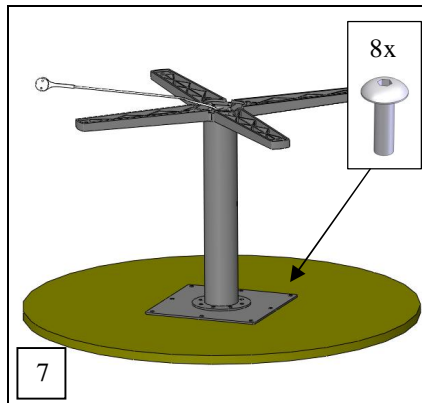
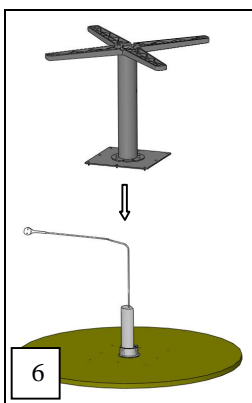
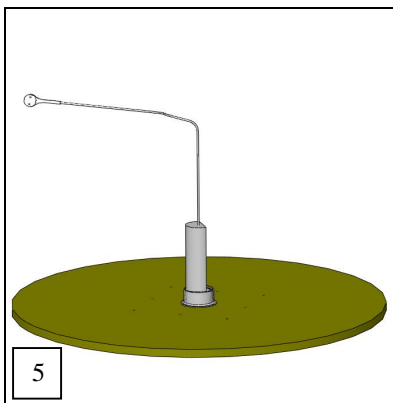
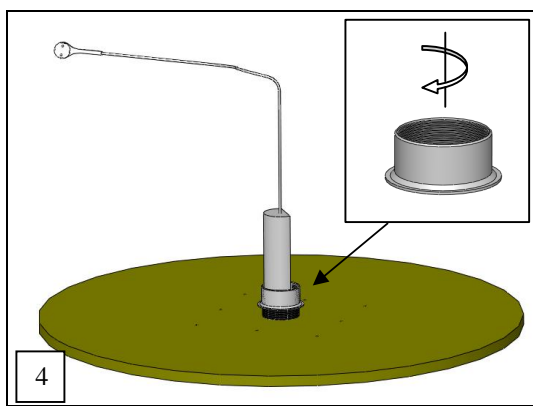
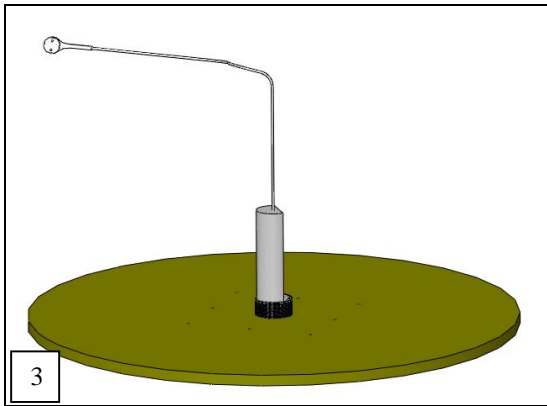
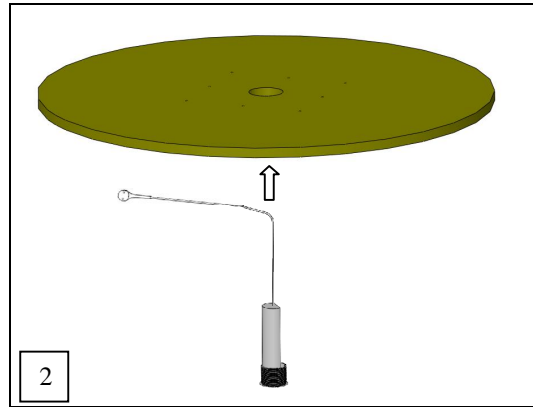
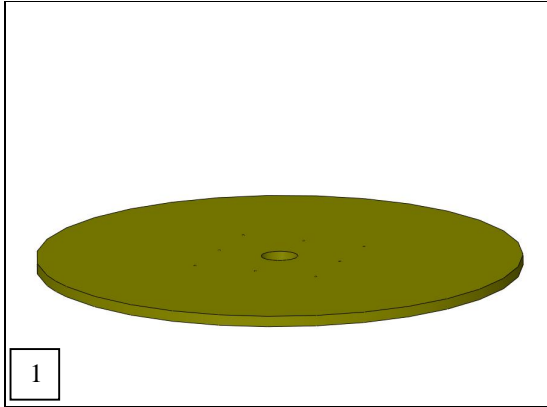


**MATERIA®**

Materia AB  
Box 340  
573 24 TRANÅS

# Power port

-Assembly instructions.



**MATERIA**<sup>®</sup>

Materia AB  
Box 340  
573 24 TRANÅS