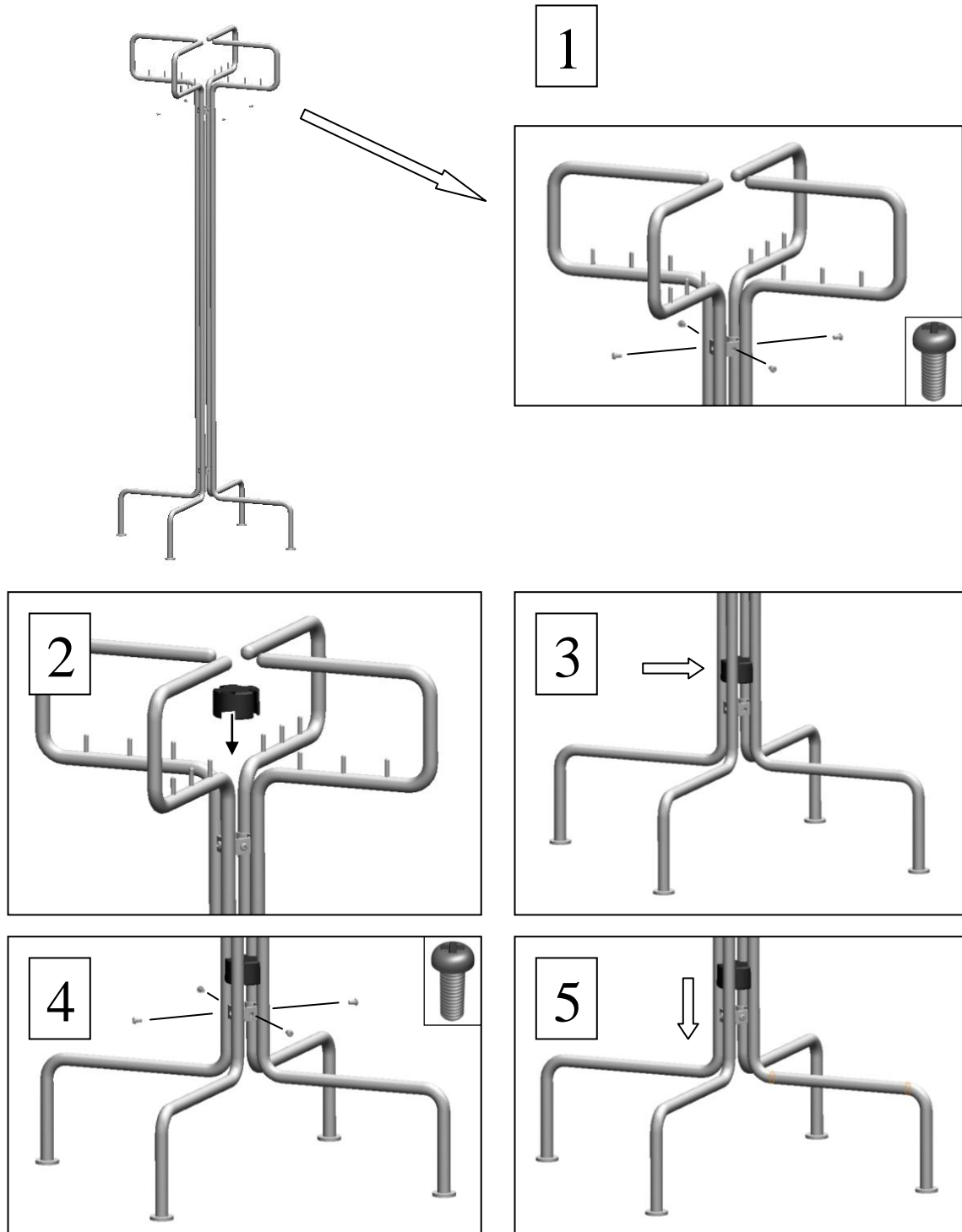


# Flax hanger floor stand

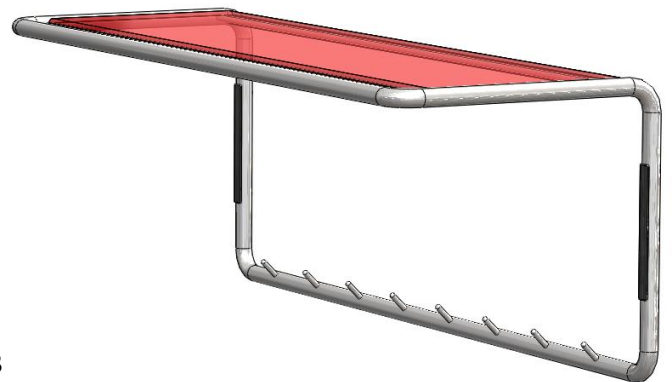
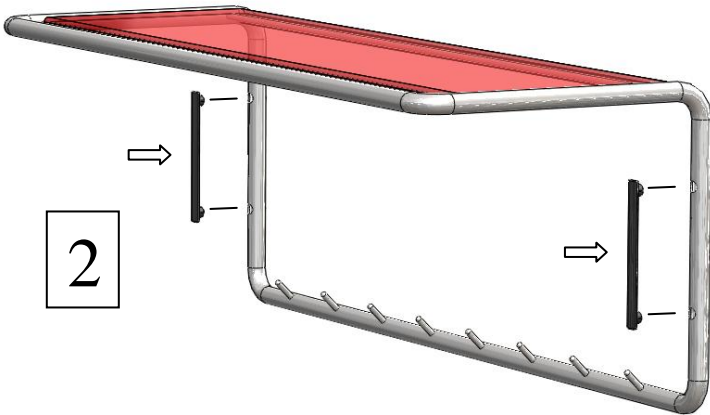
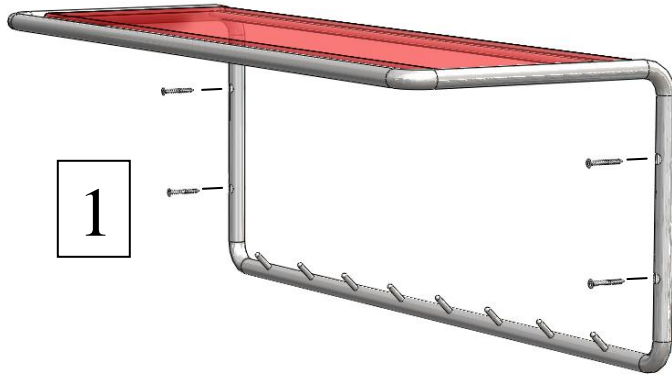
-Assembly instructions.



# Flax-wall mounted

-Assembly instructions.

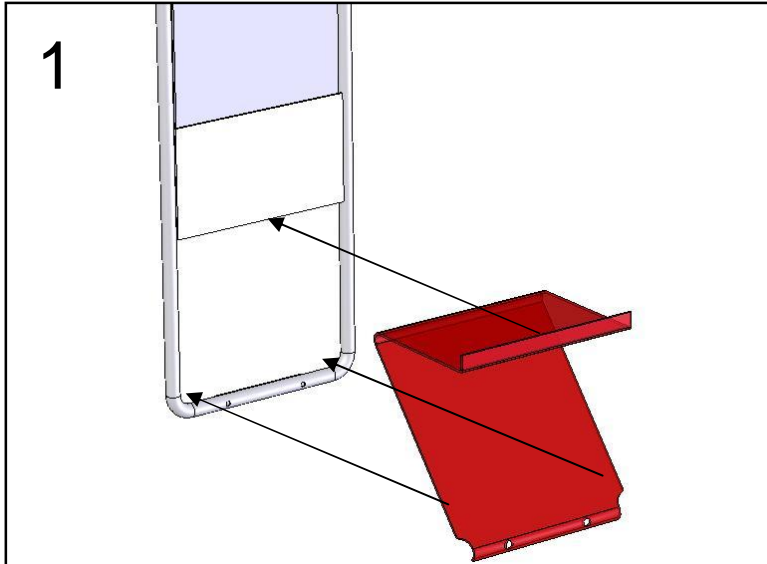
---



# Flax shelf, mirror

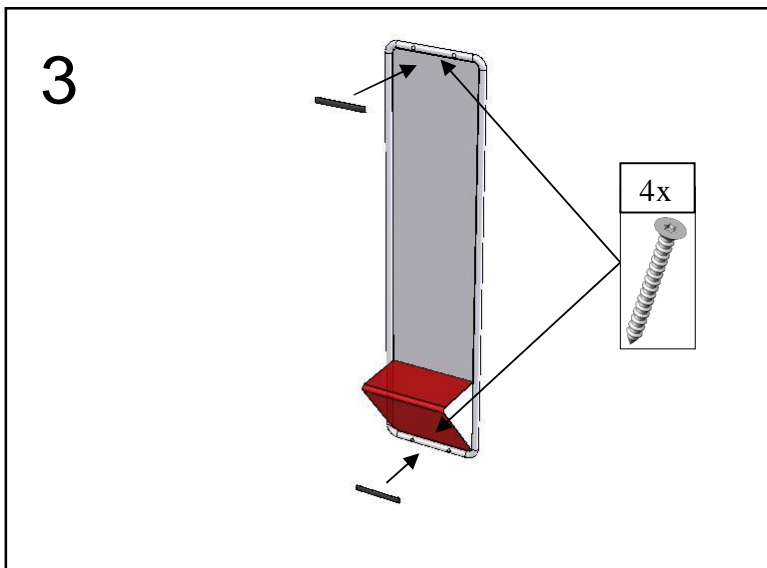
-Assembly instructions.

---



1. Remove the cover from the adhesive tape.

2. Fasten the shelf to the tape.



3. Fasten the mirror to the wall with screws (4pcs.). Use correct screws, taking the “walltype” in consideration!

4. Fasten the plastic cover (2pcs.) on top of the screwholes.