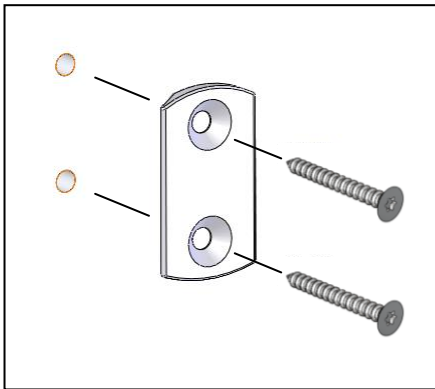


Peg

-Assembly instructions.

1



2

