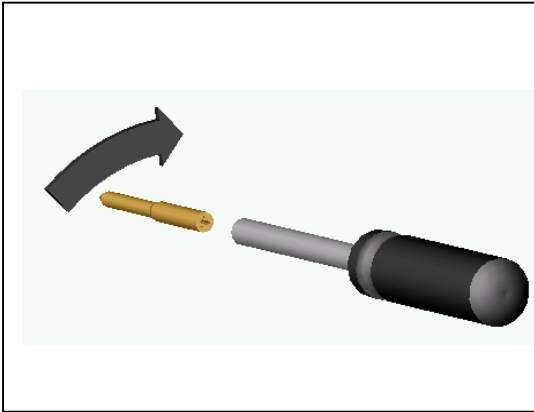


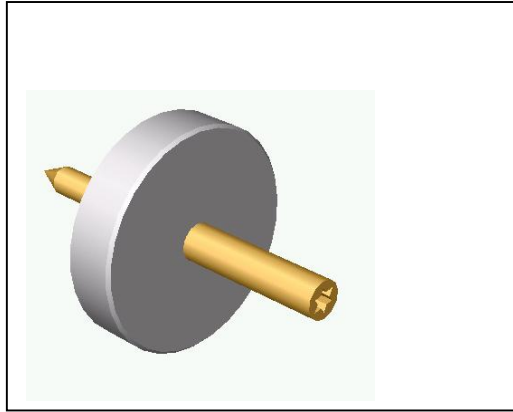
Dot -wall hook

-Assembly instructions.

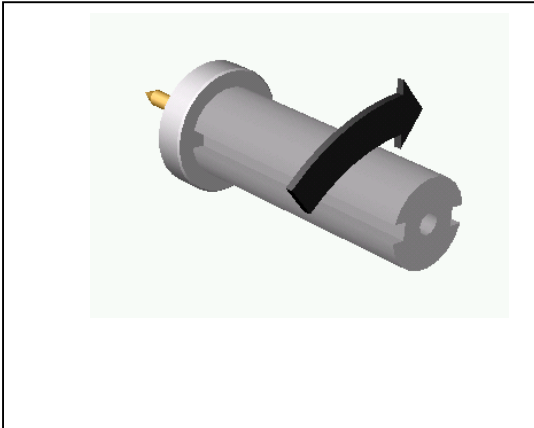
1.



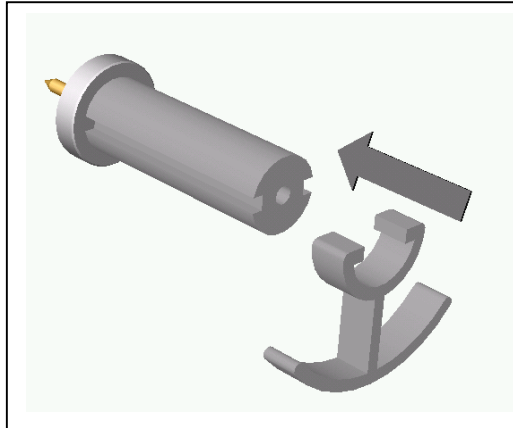
2.



3.



4.



5.



6.

