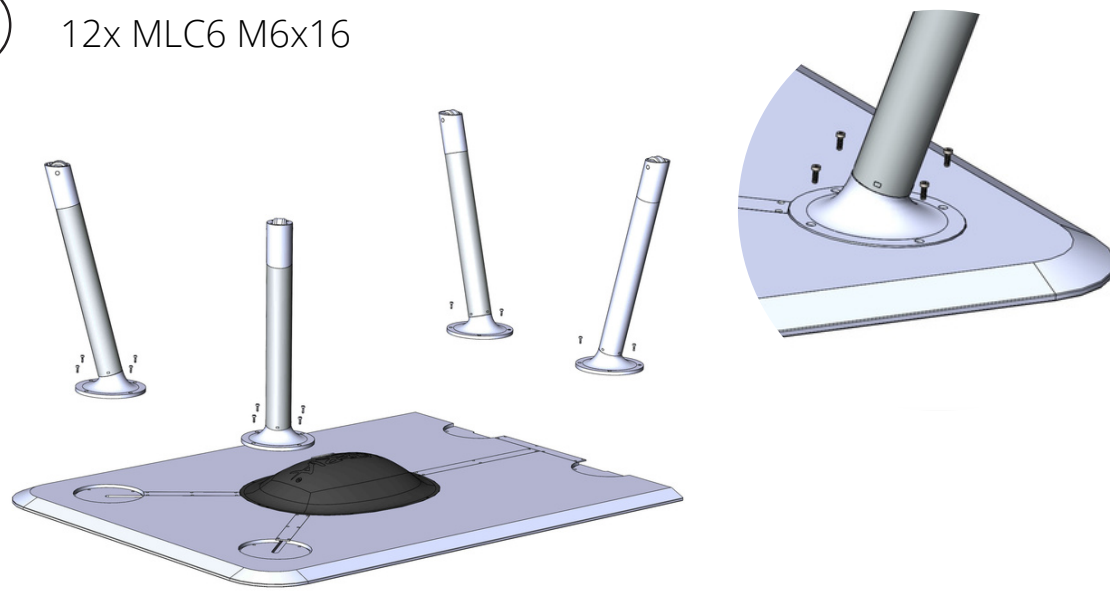


HAL table - Assembly instruction

Electrical instruction on next page



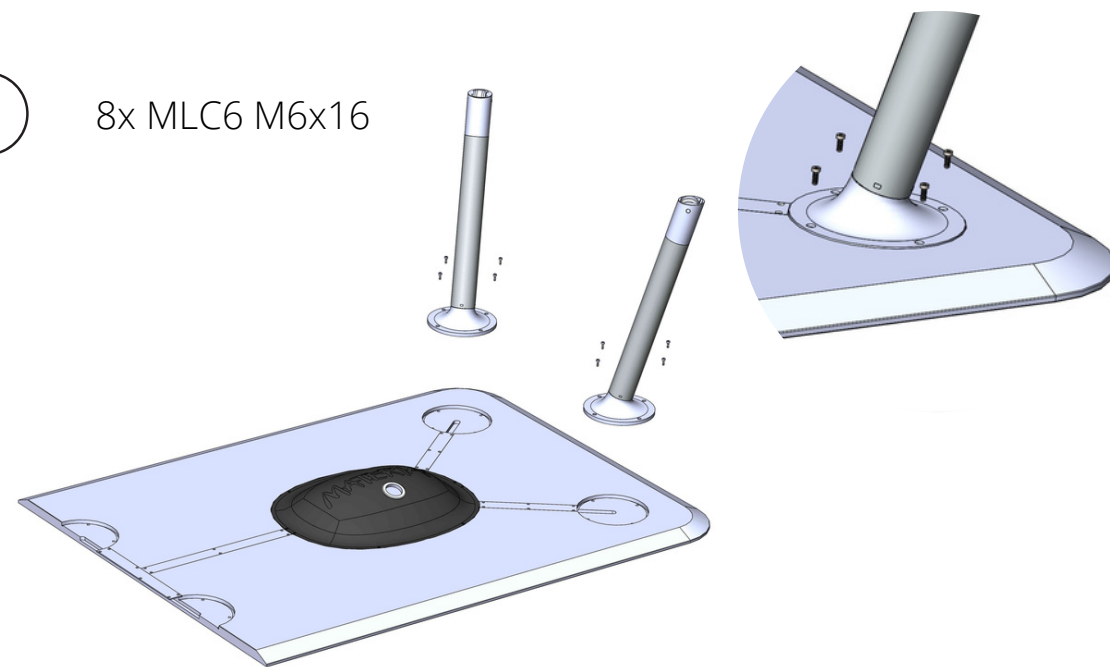
1 12x MLC6 M6x16



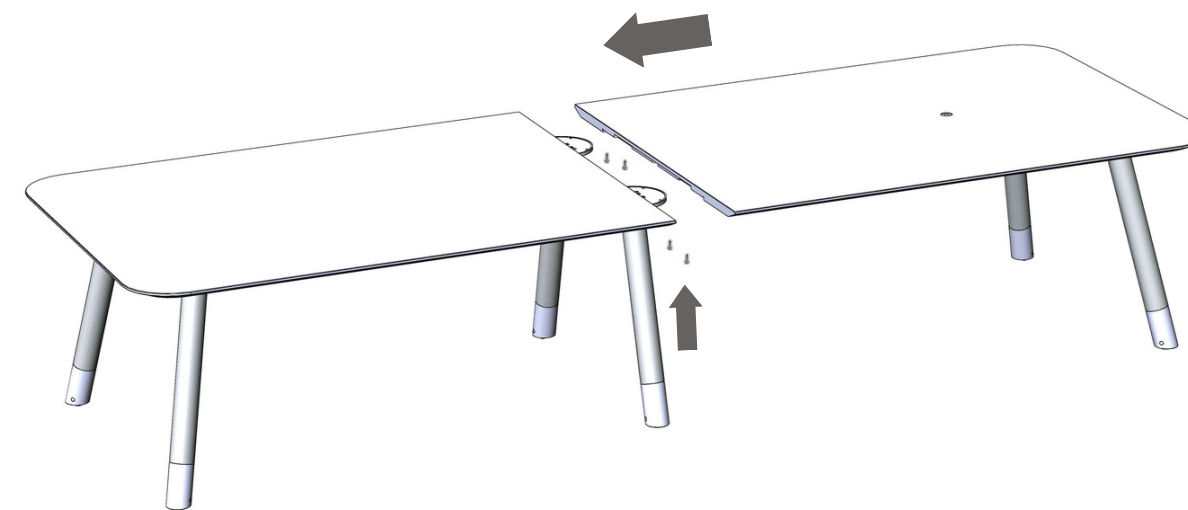
2 Turn the table around



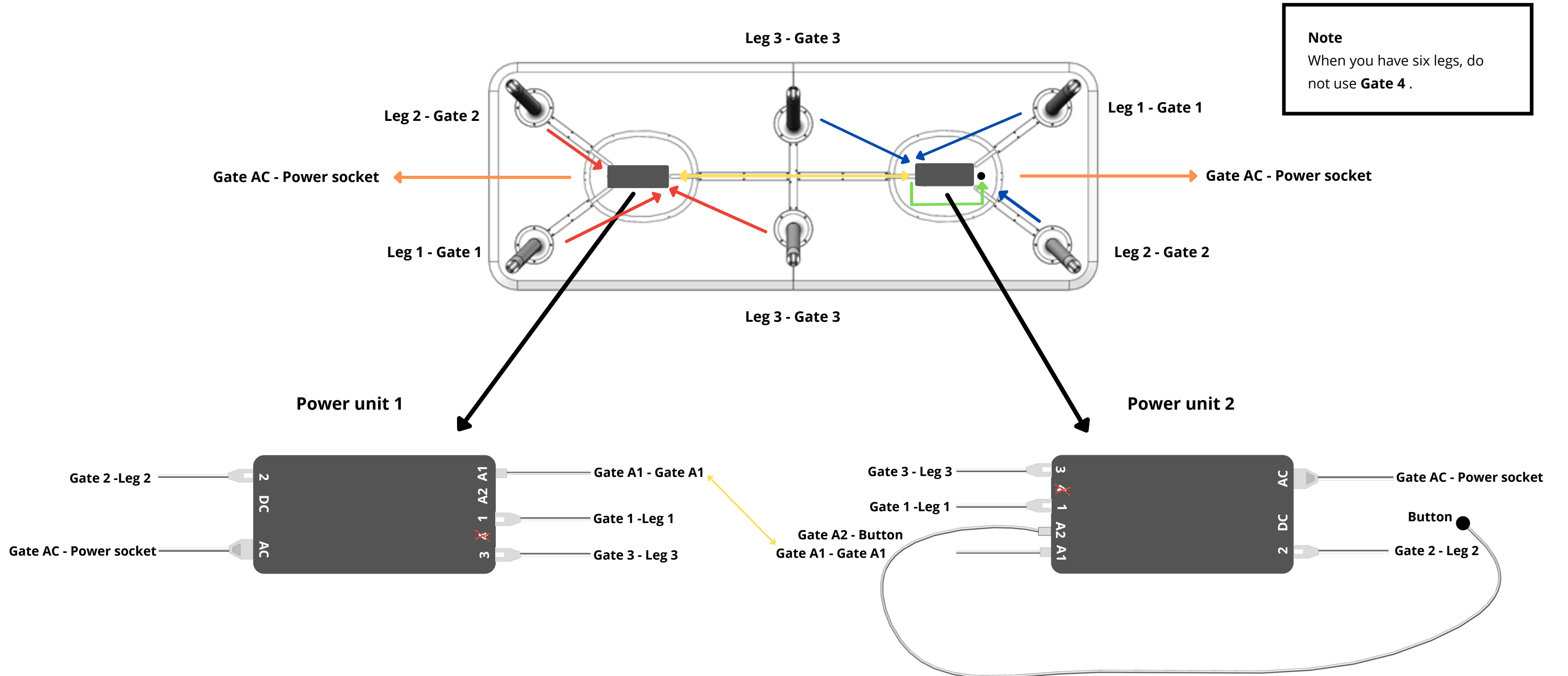
3 8x MLC6 M6x16



4 4x MLC6 M6x16



HAL table (6 legs) - Electrical instruction



HAL table (4 legs) - Electrical instruction

Note
When you have four legs,
do not use **Gate A2**.

