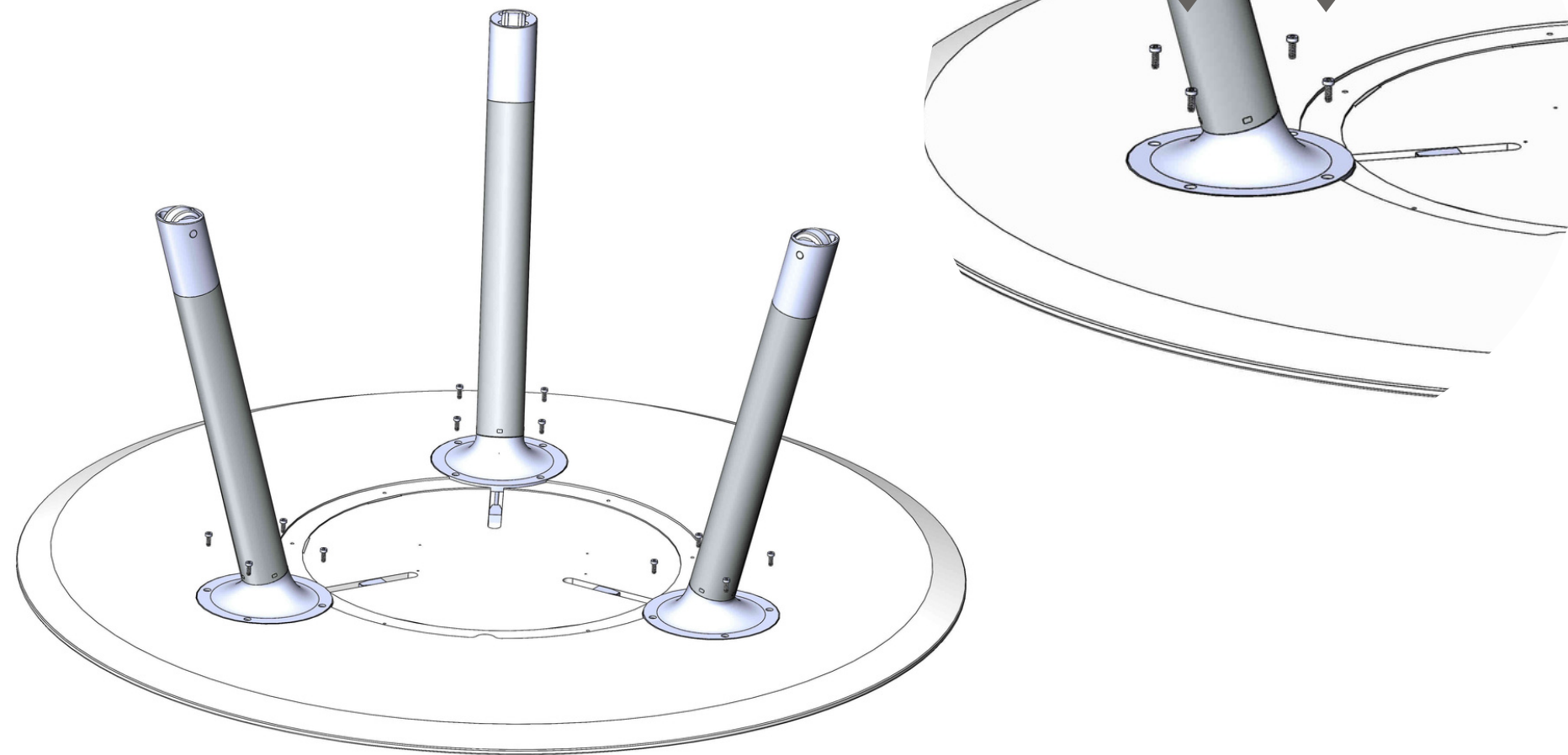


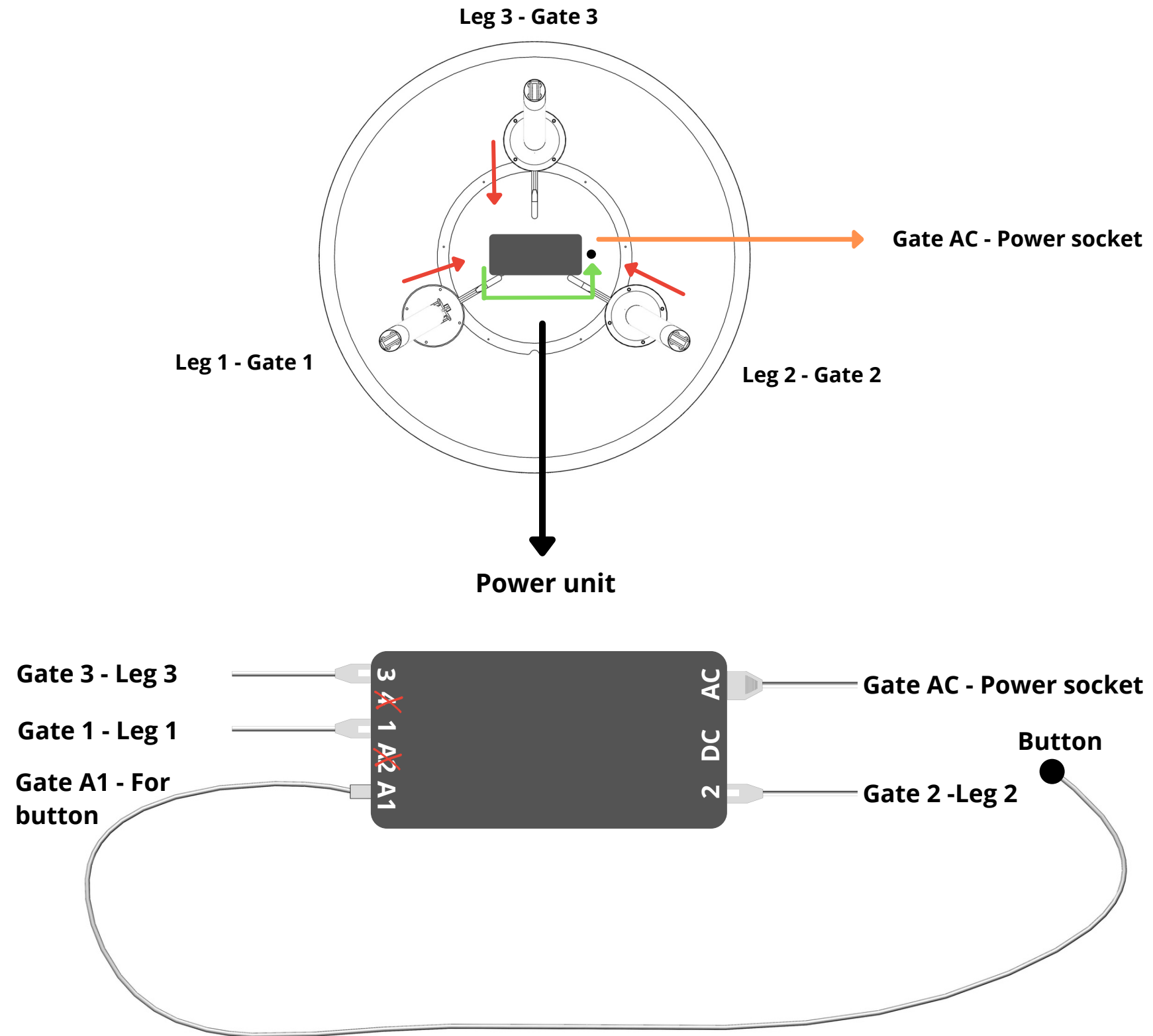
## HAL table - Assembly instruction

Electrical instruction on next page

- 1 12x MLC6 M6x16



## HAL table - Electrical instruction



**Note**

When you have three legs, do not use **Gate 4** and **Gate A2**.