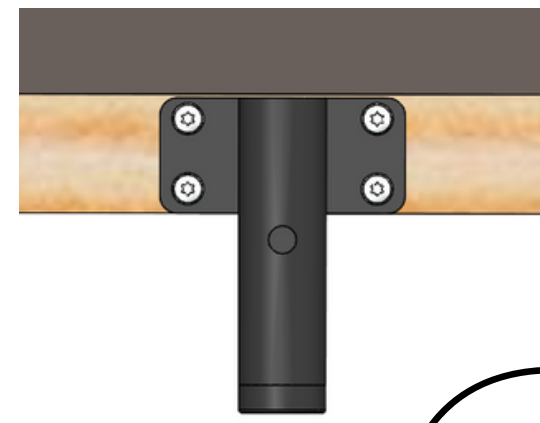
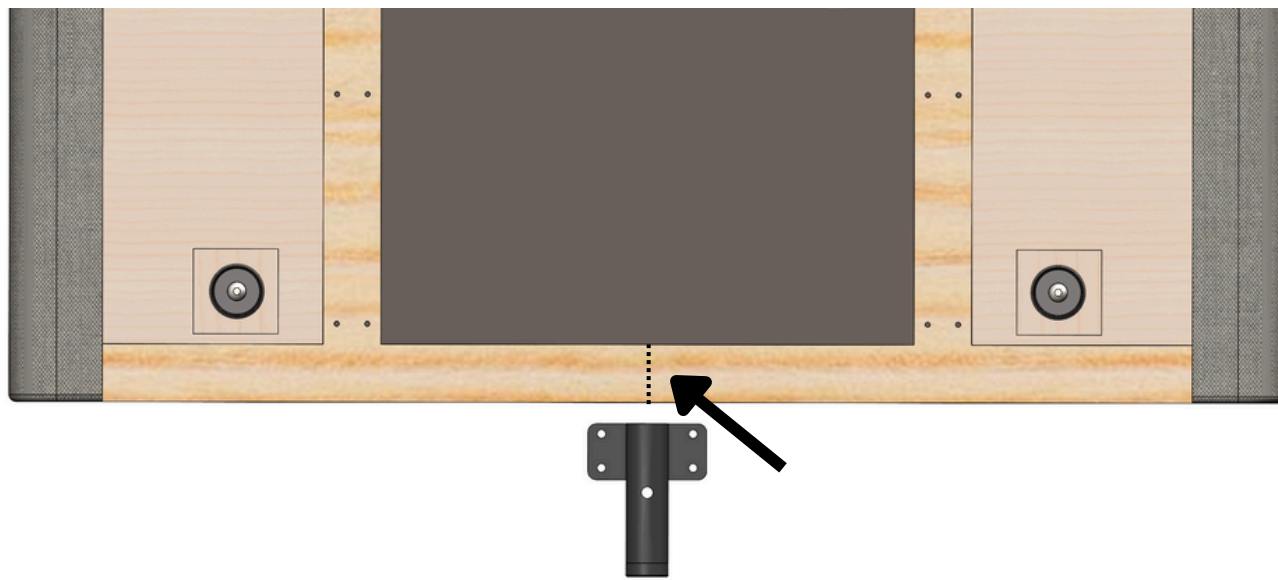


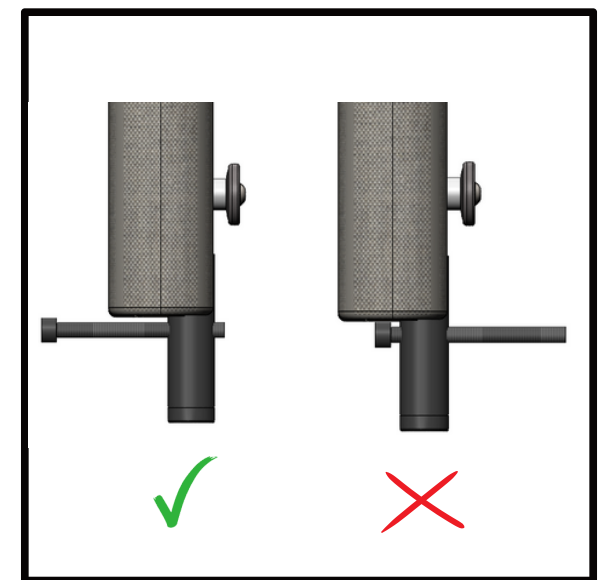
Oas High Back - Assembly instructions

1. Attach the support leg to the wooden frame. See the center mark for placement.

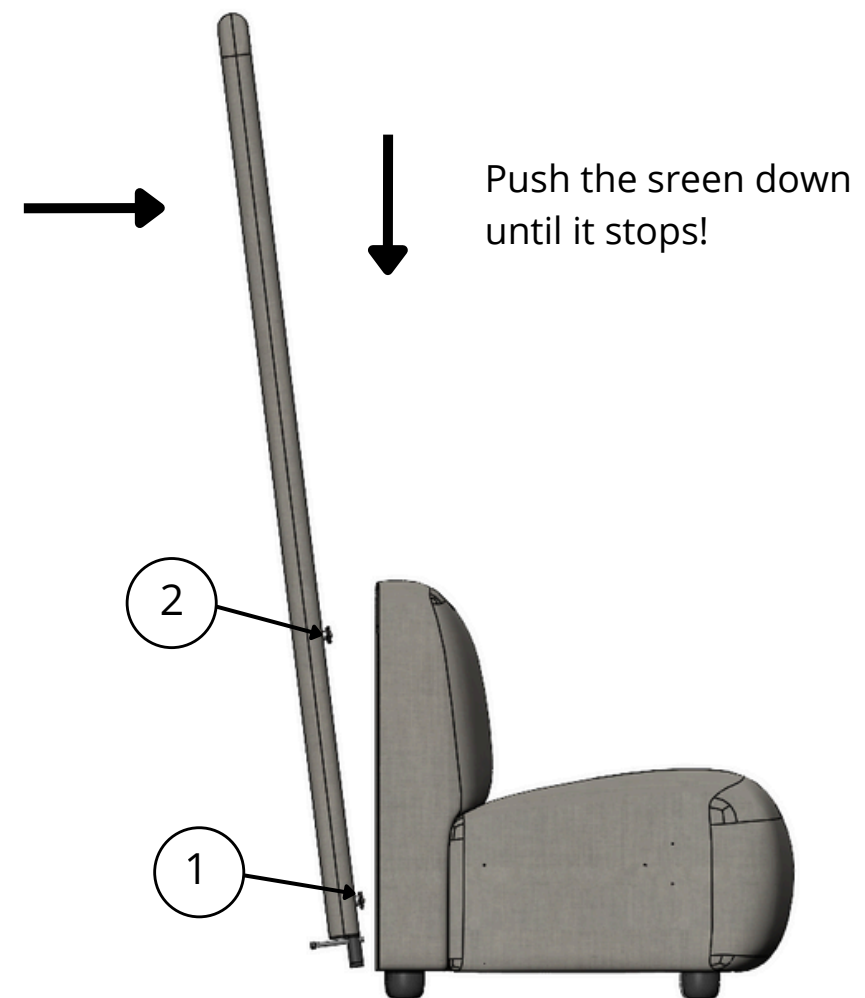
Use: 4x Screw UKT 4,5x20



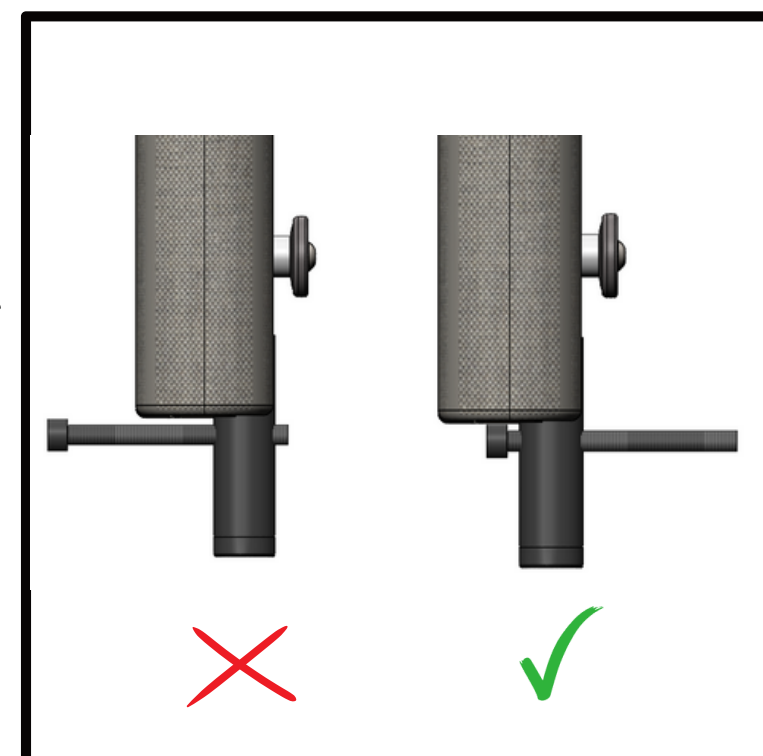
Make sure that the screw is **not** screwed all the way in. We come back to that step later.



2. Attach the screen to the back. Start connecting the bottom attachments first and then the upper ones. Find the holes and push the screen down.



Screw the screw all the way in. This prevents the screen from lifting.

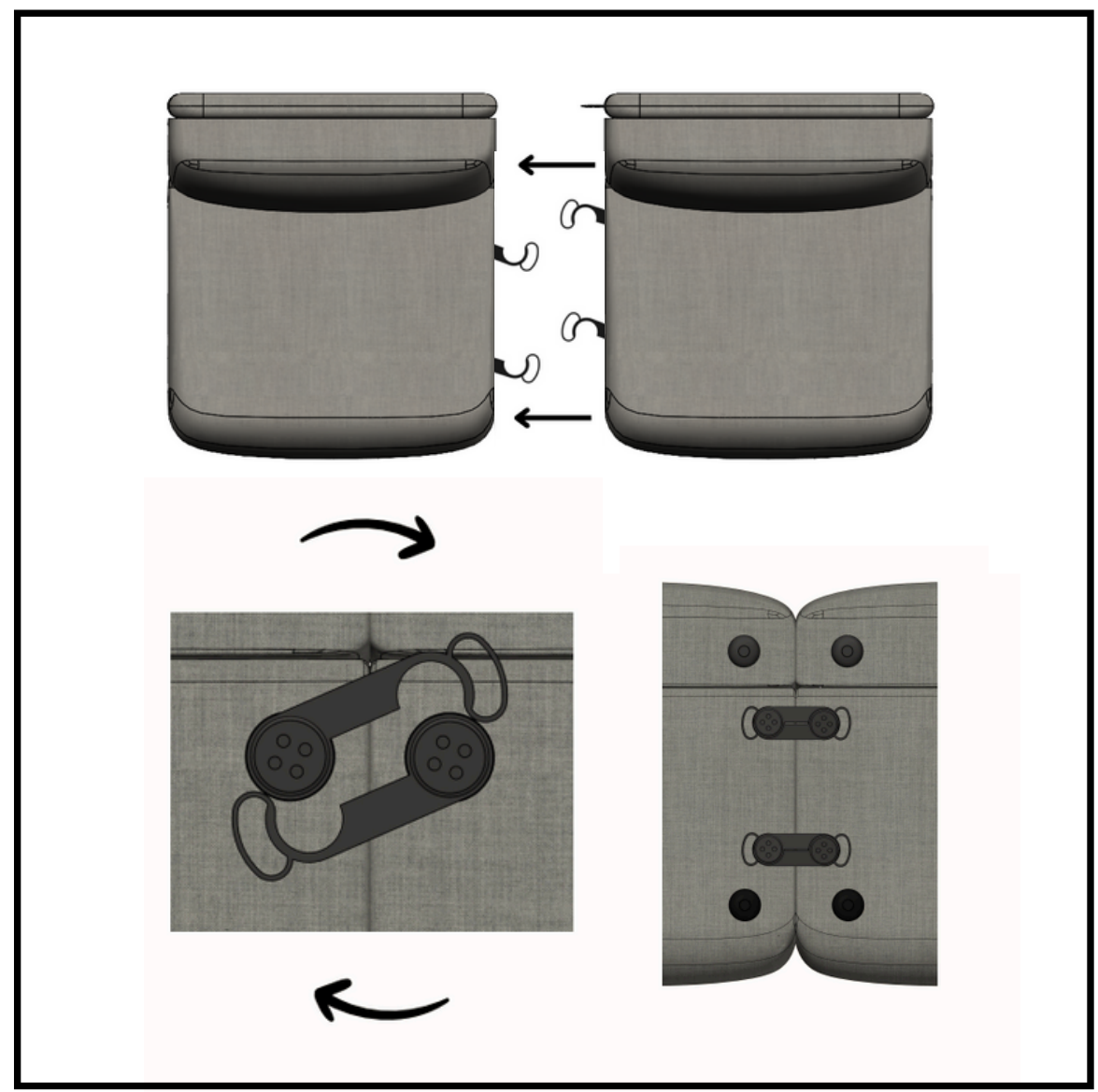


3. Connect sections together with the plastic connection under the seats.

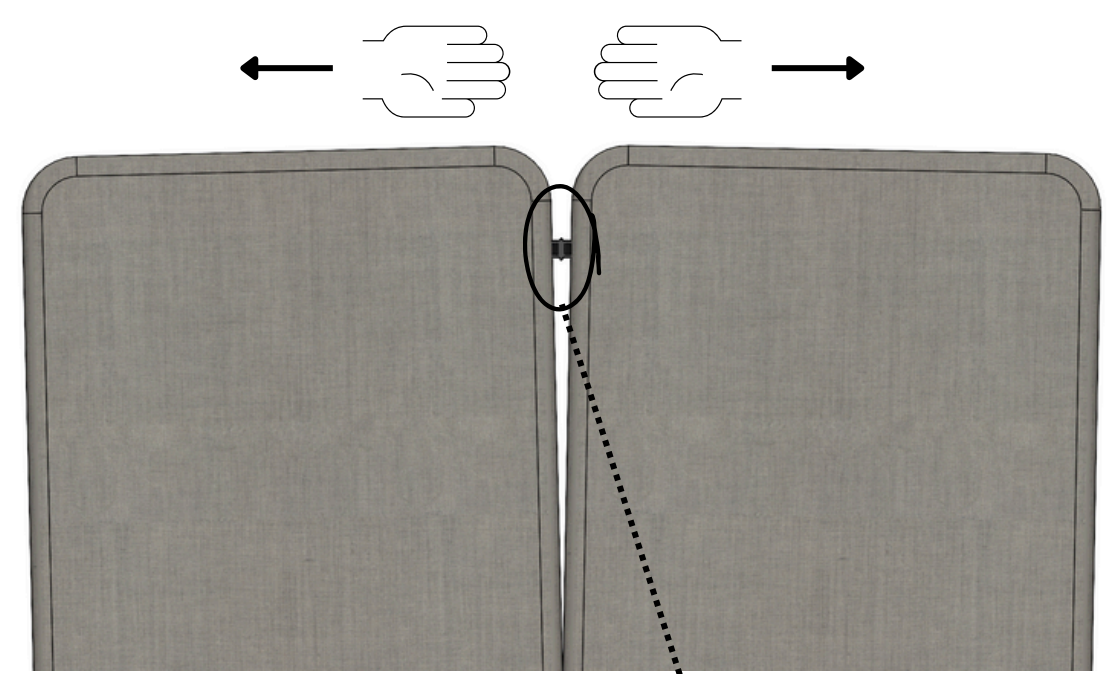
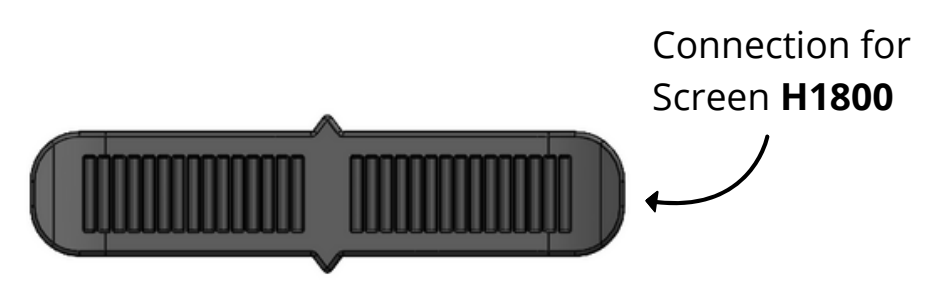


H1200 = Done! ✓

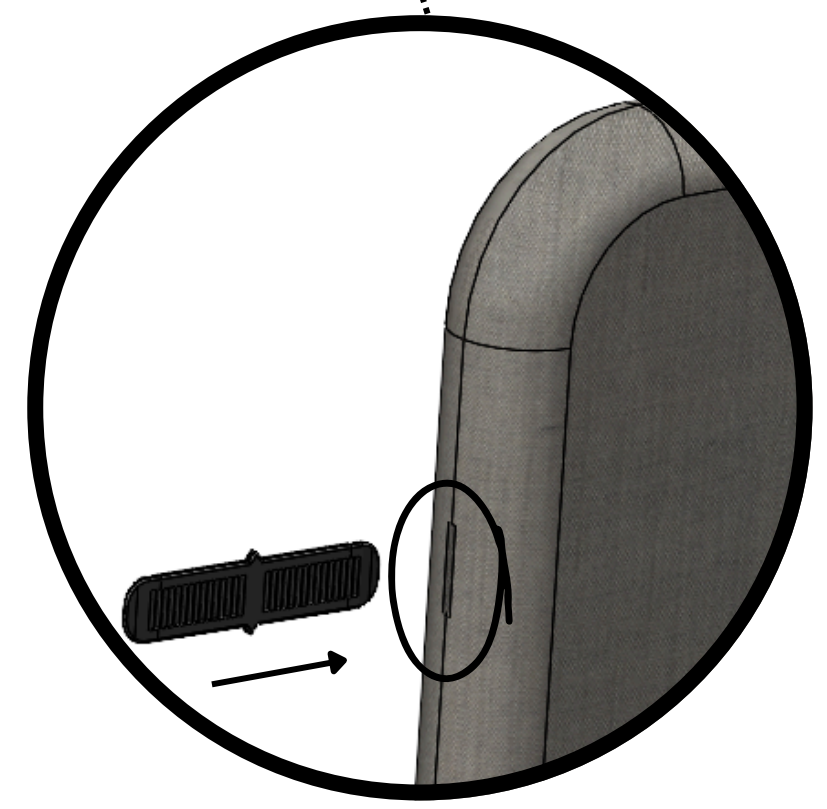
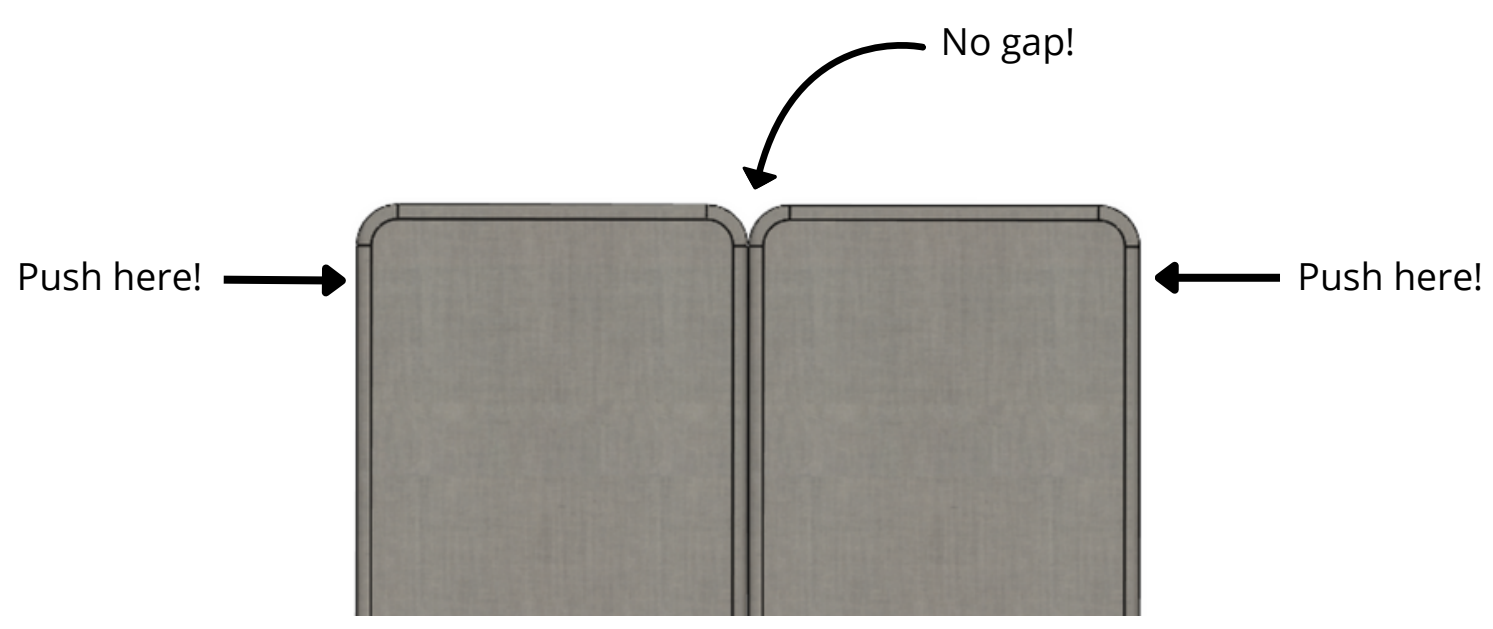
H1800 - Go to next step! ↓



4. Pull the screens apart at the top and push the connection part inside the holes in the fabric in both screens.



5. Push the screens together so there is no gap. The connection will click!



6. Cover for end sections. Push the cover through the hole in the fabric. Push until the cover has a nice fit against the fabric.

