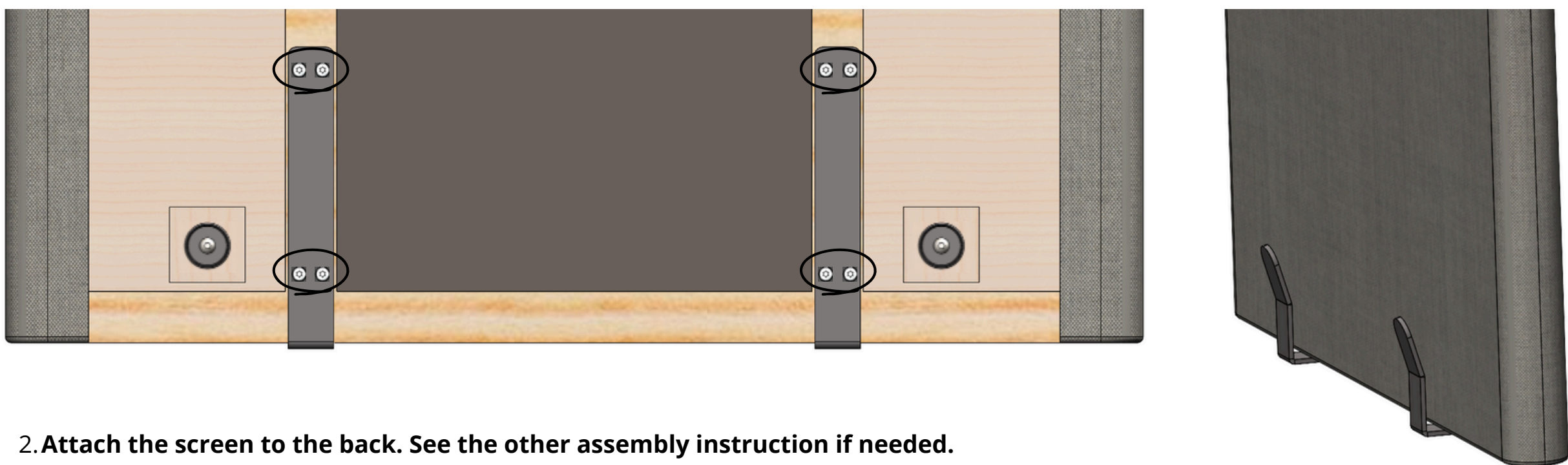
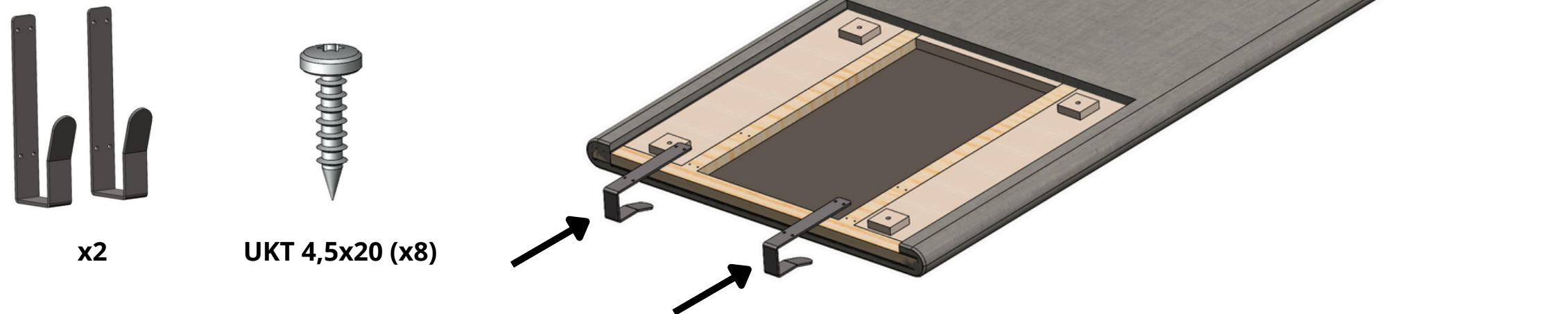


OAS High Back - Assembly instructions Double seating

1. Attach the brackets to the frame. Use the pre-drilled holes.



2. Attach the screen to the back. See the other assembly instruction if needed.

3. Place the double seat on the other side. Lift up the back and push the back-plywood behind the brackets.

