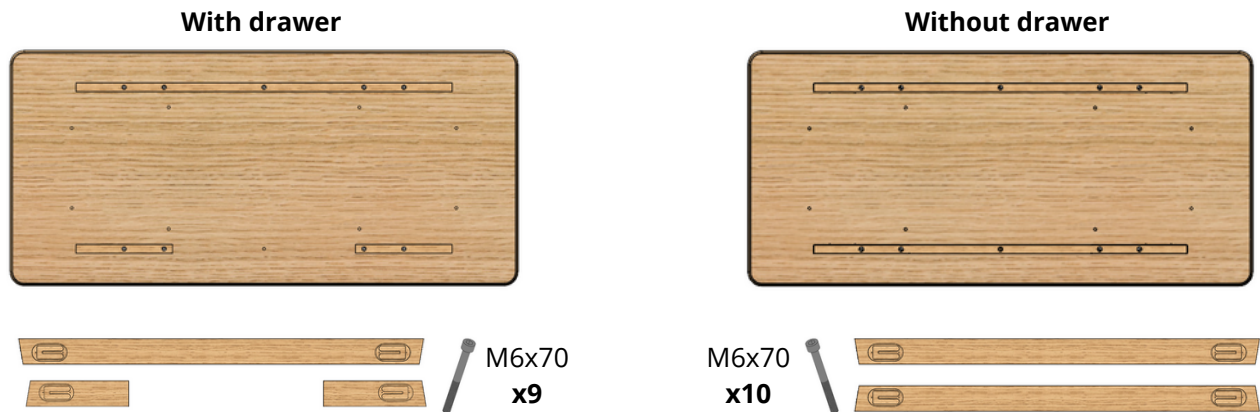




SOHO - Table

Step 1

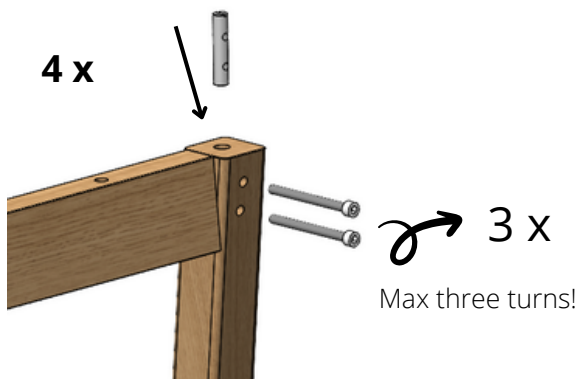
Turn the table top up side down and attach the wood beams with screw **M6x70**. Don't tighten the screws all the way, we come back to that later.



NOTE! Make sure that the cut outs are facing inwards. Notice that the edges are angled, the widest part should face away from the table top.

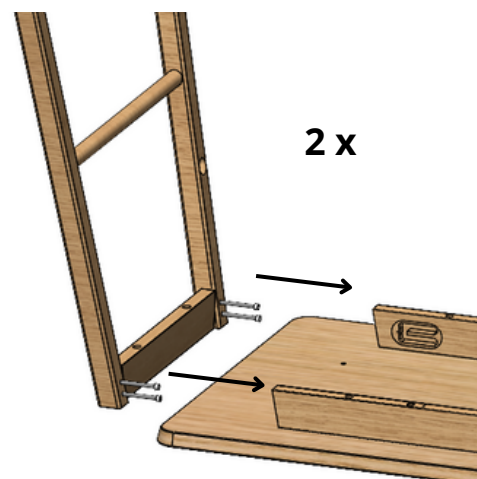
Step 2

There are two premounted steel inserts with treads (sargsprint) in each leg frame. Attach 2x screw **M6x70** to each.



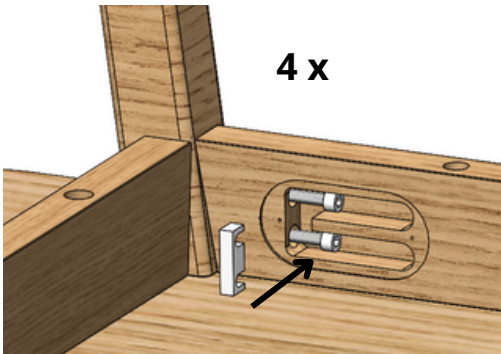
Step 3

Insert the leg frames



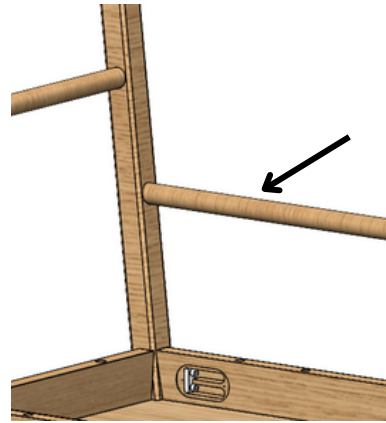
Step 4

Insert steel washer.



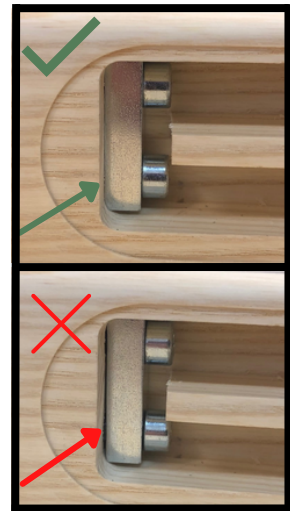
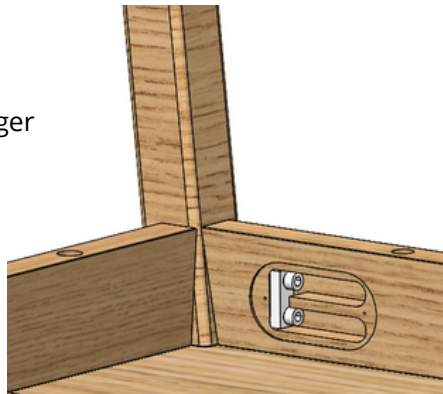
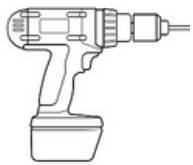
Step 5

Before you tighten the screws on both leg frames make sure to put the round wood beam between the leg frames. If you have a drawer the round wood beam should be on the opposite side of the drawer.



Step 6

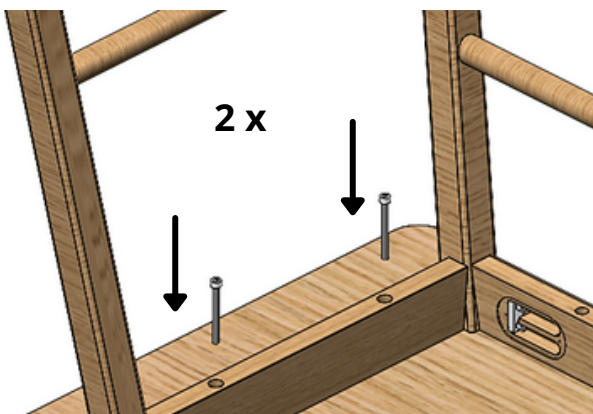
Tighten the screws
1x Drill bit round **HEX5**
Press steel washer with finger



Make sure you tighten the screws enough.

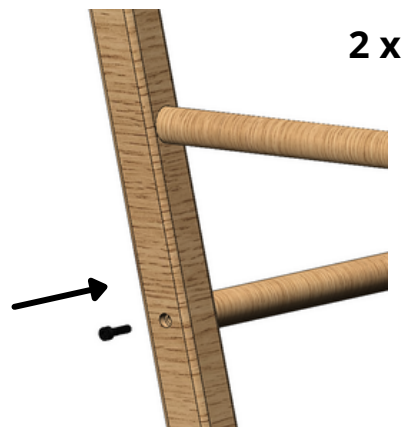
Step 7

Attach the leg frames to the table top.
Use 2x screw **M6x70**.
Tighten the rest of the screws that attach the wood beams to the table top.



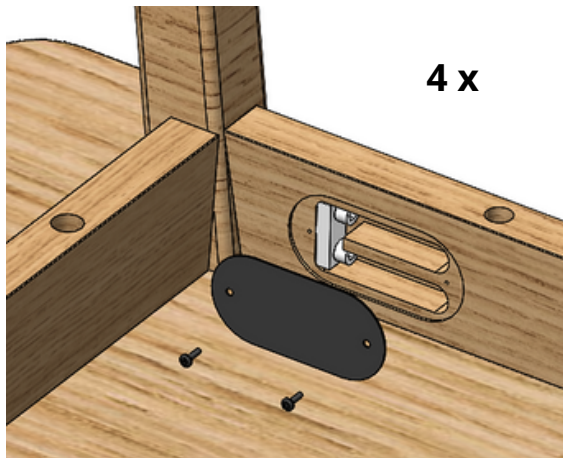
Step 8

Use 1x screw **M6x30** to attach the round wood beam.



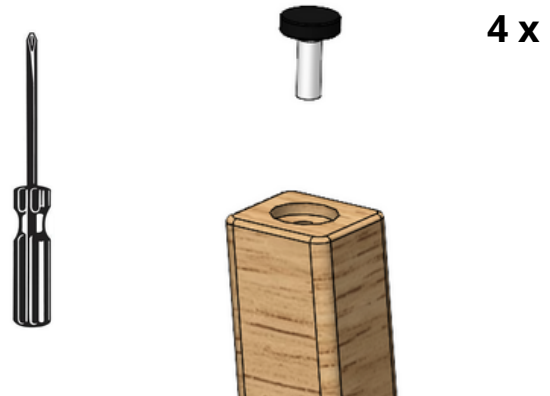
Step 9

Attach the metal covers, use 2x screw **UKT 3x10**.




Step 10


Attach gliders.



If you have a drawer, continue to next side. If you don't have a drawer your table is completed.

Tighten once again 

After 3 months

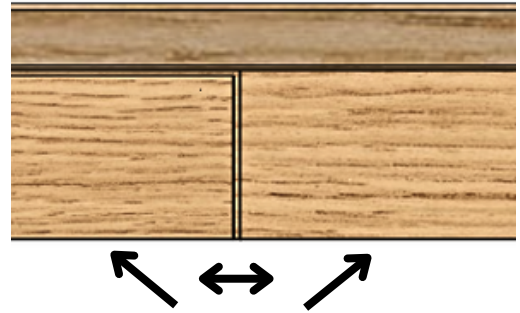
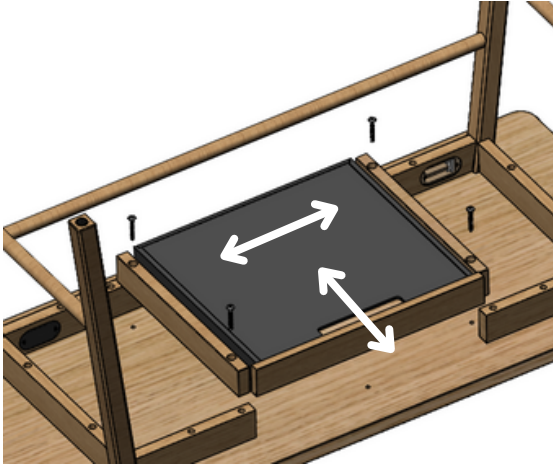


This block contains a maintenance instruction. It says 'Tighten once again' followed by a clock and calendar icon, and 'After 3 months'. Below this is a close-up photograph of a table leg showing the glider and metal cap.

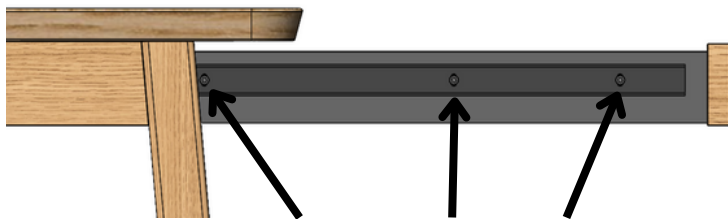
Step 11

Attach the drawer to the table top, use 4x screw **K6SM M6x50**.

Try to find the right position before you tighten the screws. There should be equal space between the drawer and the wood beams on both sides. The drawer should also have the same depth and height. You can adjust the drawer forward/backward and sideways with these screws.

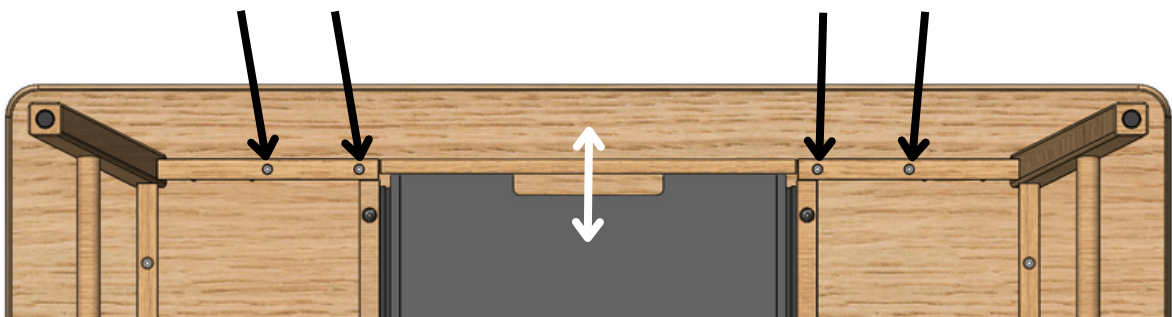


The wood beam and the drawer should end up at the same height and have equal space on both sides of the drawer.



If you want to adjust the drawer in height up or down. Open the drawer and loosen 1-3 screws that attach the steel drawer slides to the drawer and move the drawer to a desirable position.

If you want to adjust the drawer in depth even more, you have two options:
1. Loosen these screws and move the wood beams to match the drawer in depth.



2. Open the drawer and loosen the screws that attach the steel drawer slides to the wood beams and move it to a disirable position.

