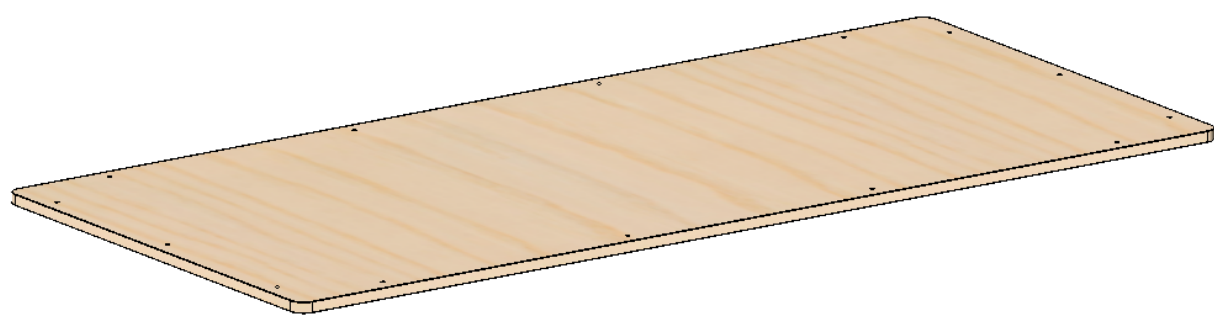


Domino Bord



1

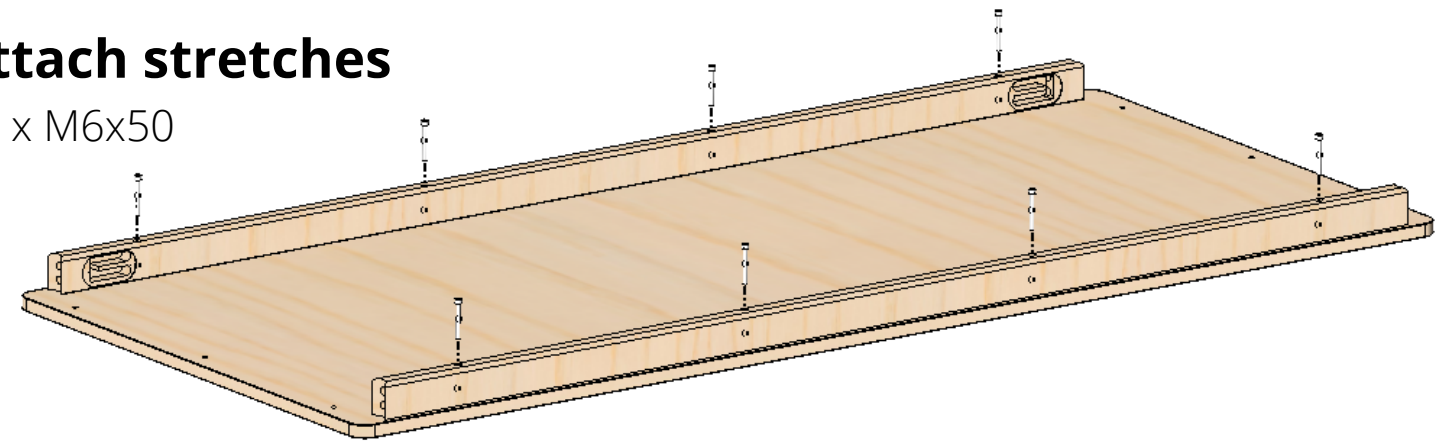
Tabletop upside down



2

Attach stretches

8 x M6x50

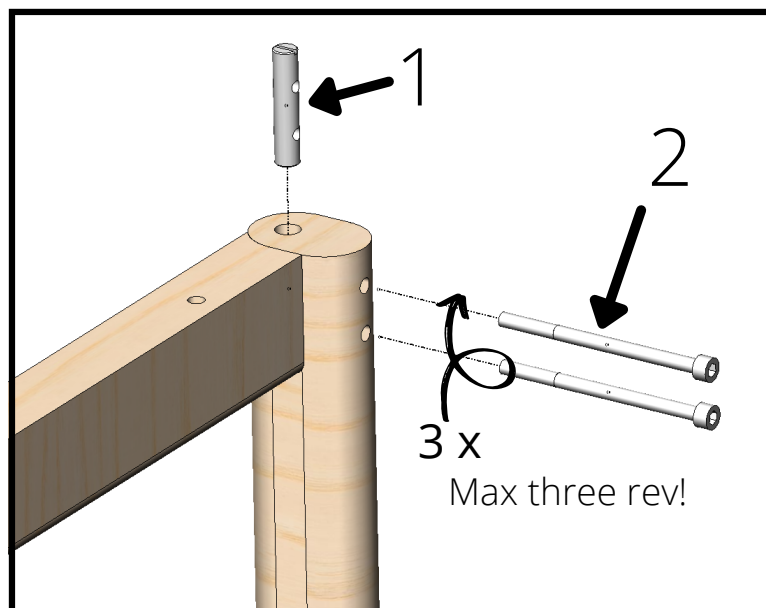


3

Premount hummer nuts

4x Hummer nut (sargsprint)
8x M6x90

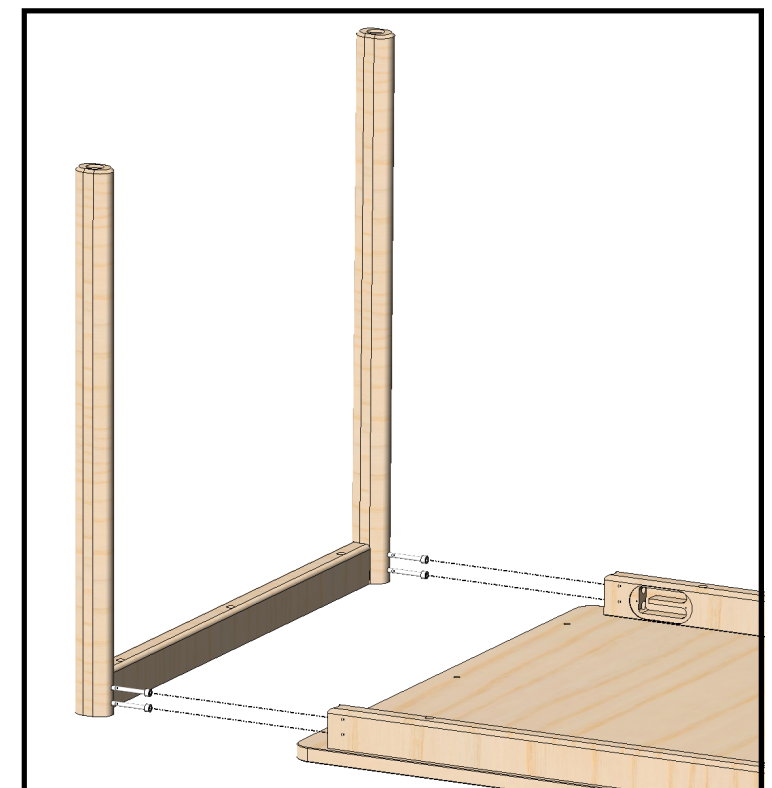
4 x



4

Insert gables

2 x

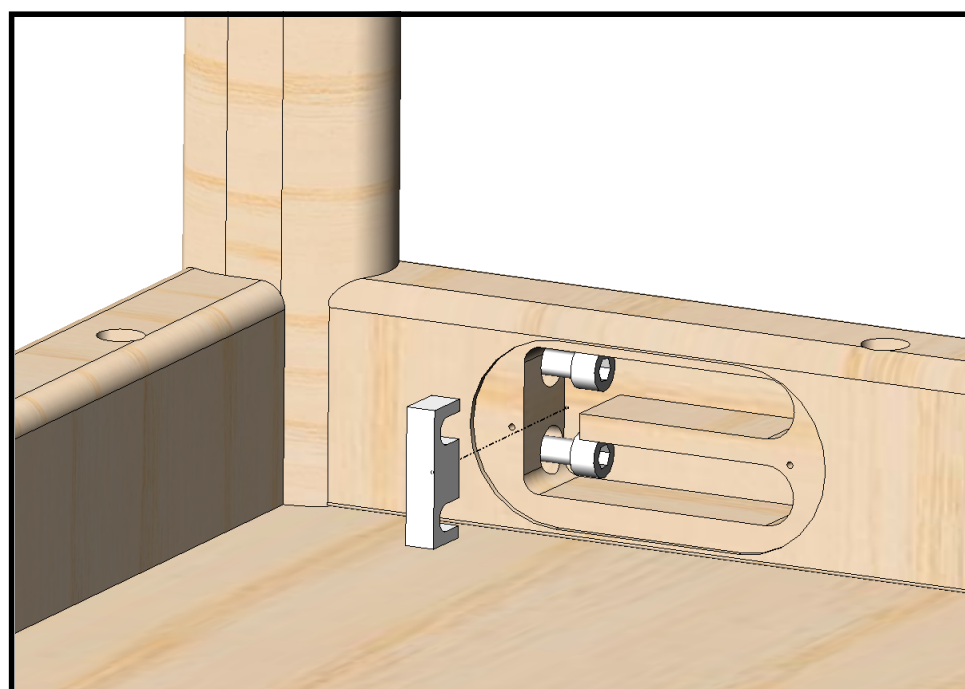


5

Insert forking washer

4x Forking washer (Isticksbricka)

4 x



6

Tighten

1x Drill bit round HEX5
Press with finger

8 x



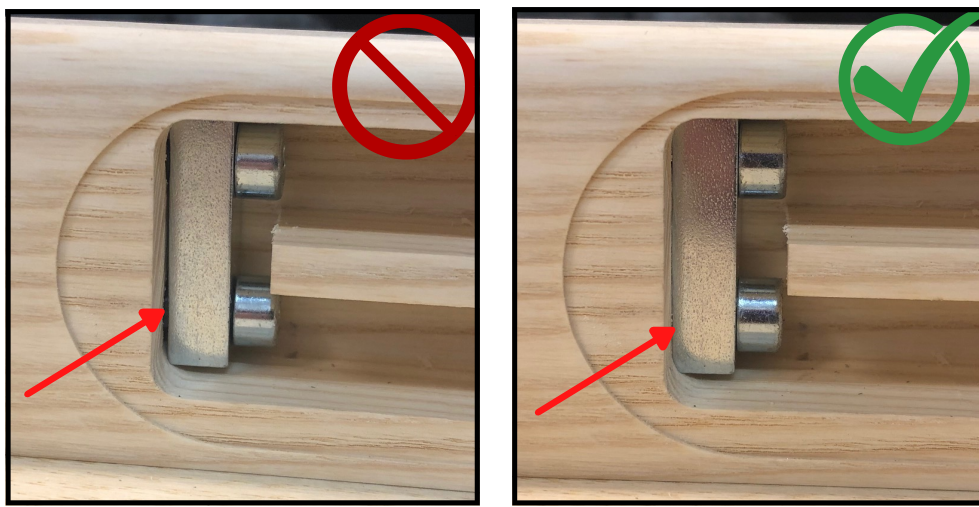
Domino Bord



7

Tighten

1x Drill bit round HEX5

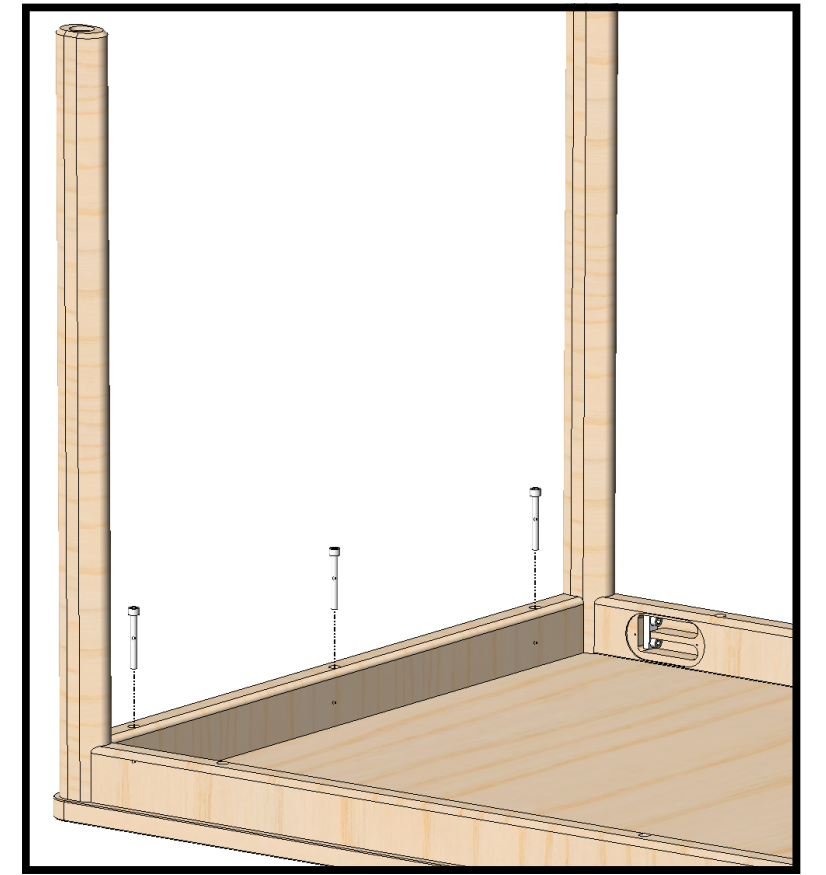


8

Attach gables

6x M6x50

2 x

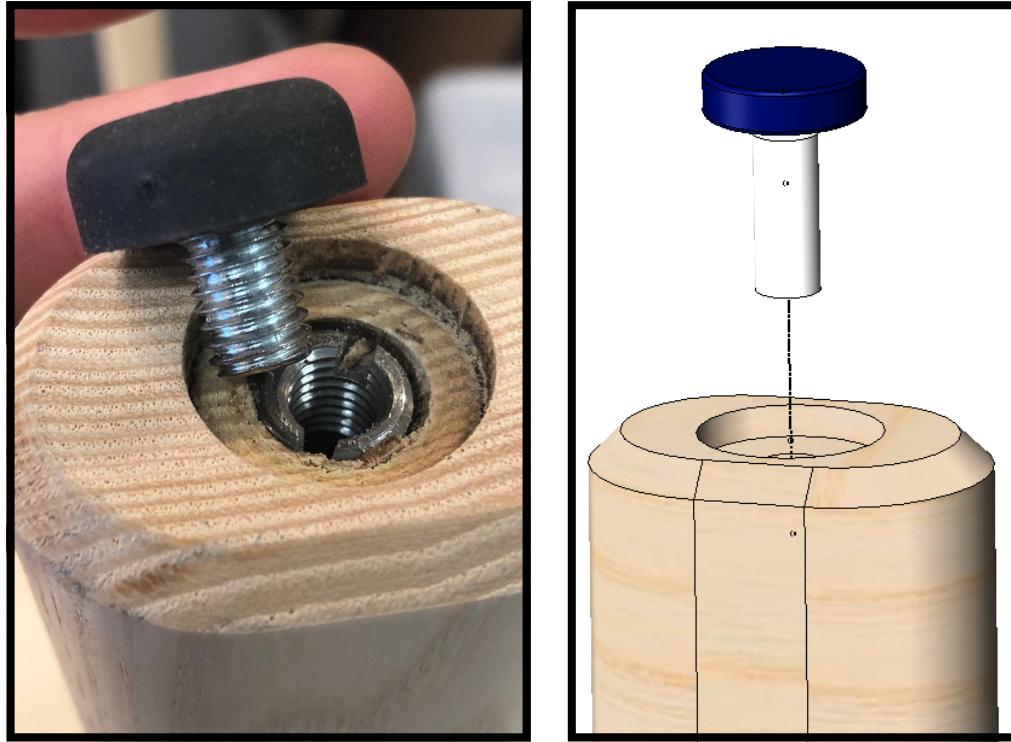


9

Attach gliders

4x Gliders

4 x

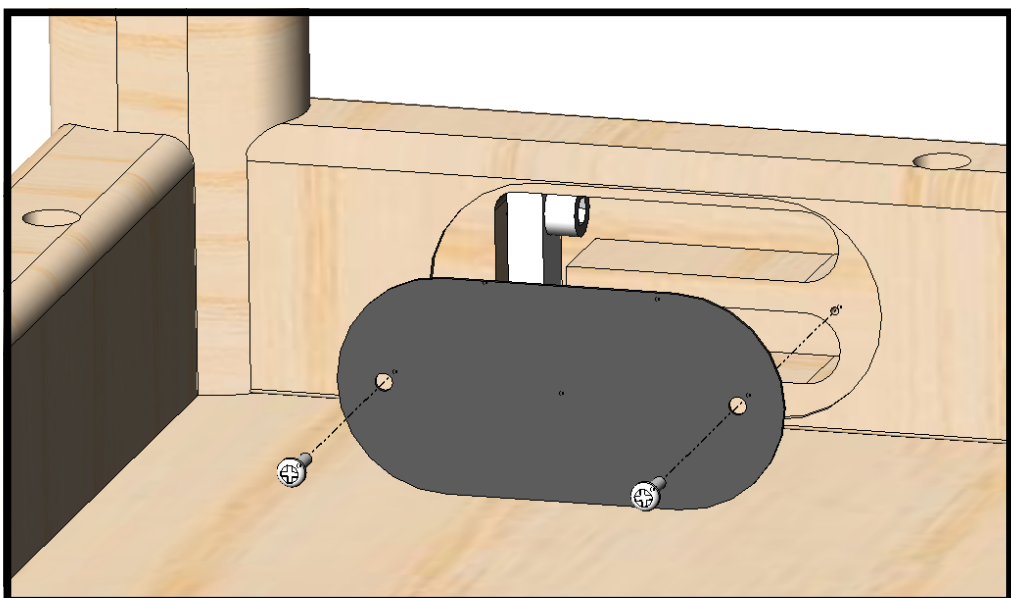


10

Attach cover

4x Metal cover
8x Wood screw

4 x



11

Tighten once again

After 3 months

3 x

