

# SUSTAINABILITY DECLARATION

## INA CHAIR



**MATERIA®**



Fulfills the requirements of the Möbelfakta

## MATERIAL CONTENT

Steel	2,4 kg	66,48 %
Aluminium	0,01kg	0,28%
Plastic	1,2 kg	33,24 %
Total	3,61 kg	100%

Disclaimer: Material content is based on Palette chair. Numbers may vary based on model and options selected.

This applies throughout the declaration

## RECYCLED MATERIAL

Post-consumer recycled content	0,483 kg	13,4%
Pre-consumer recycled content	1,2 kg	33,3%
Total recycled content	1,68kg	46,6 %

## RECYCLABILITY:

Steel	2,4 kg	66,48 %
Aluminium	0,01kg	0,28%
Plastic	1,2 kg	33,24 %
Total material recycling	3,61 kg	100 %

Wood -Plywood Birch FSC	0 kg	0 %
Foam	0 kg	0 %
Total energy recovery	0 kg	0 %

## TOTAL CO2:



ENERGY VALUE: (in accordance with NF Environnement): 100,8 MJ

## FULFILLED TECHNICAL STANDARDS

- EN 16139 Strength, durability and safety, for Seating and personnel weight of 110 kg.
- EN 15372 Strength, durability and safety for Tables
- EN 1728 Test methods for the determination of the strength and durability for seating
- EN 1730 Test methods for the determination of the strength and durability for Tables
- EN 1022 Determination of stability seating
- EN 1730 Determination of stability Tables
- EN 12720 Assessment of surface resistance to cold liquids
- SIS 83 91 17 Assessment of surfaces resistance to scratches
- EN ISO 105-E04 Colour fastness to perspiration

## FULFILLED FIRE REQUIREMENTS

- EN 1021-1 Assessment of the ignitability of upholstered furniture – part 1: Ignition source smouldering cigarette.
- EN 1021-2 Assessment of the ignitability of upholstered furniture – part 2: Ignition source match flame equivalent
- Euroclass D

Disclaimer: Fire requirements EN 1021-1 and EN 1021-2 are based on fabric

Synergy from Camira.

## CHEMICAL DATA

The product does not contain:

Substances on Reach candidate list

Asbestos

Heavy metals

PVC

Hexavalent chromium

## COMPANY CERTIFICATIONS

- ISO 14001
- ISO 9001
- ISO 45001
- FSC® Chain of Custody

## PACKAGING AND TRANSPORT

Packaged in recyclable packaging. Materia is connected to FTI, the Swedish

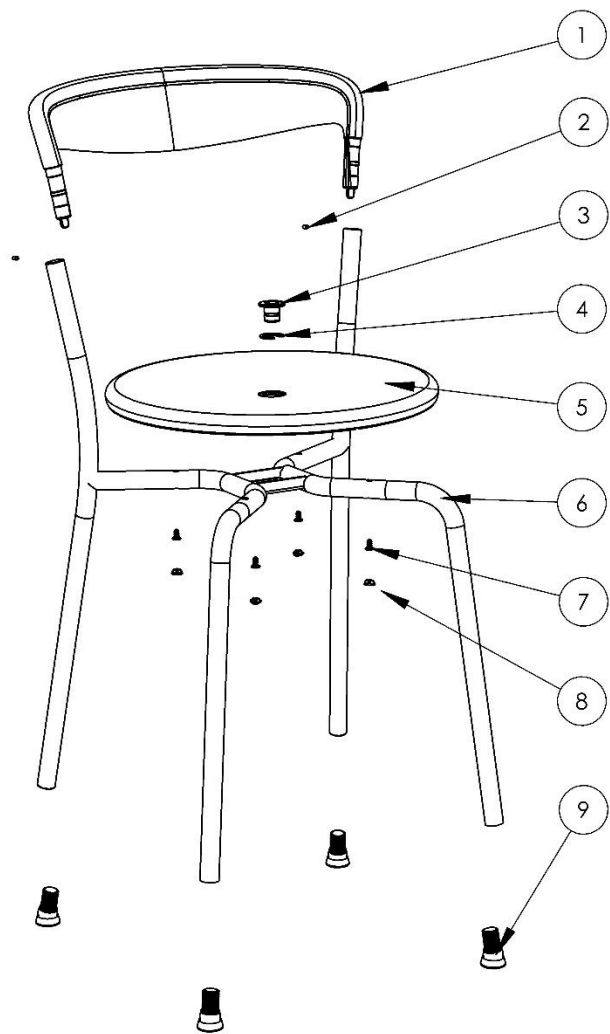
nationwide recycling system for packaging. Shipped with external carriers.

# CARE AND MAINTENANCE RECOMMENDATIONS

Please visit our webpage.

[www.materia.se](http://www.materia.se)

## RECYCLING



Material	ID	Disassembly	Waste fraction
Steel	2,3,4,6,7	Screwdriver	Metal
Aluminium	5	Screwdriver	Metal
Plastic	1,8,9	Knife	Plastic

\*The product should in first hand be reused or remade before recycling its components.

## LEED CONTRIBUTION

The product can contribute to the earning of points within the following credits.

### LEED V 4 Interior Design & Construction

MR Credit: Interiors life-cycle impact reduction	<p>services for recycling, refreshing or reusing products.</p> <p>Share of recyclable material in the product: 63,9 %</p>
MR Credit: Building product disclosure and optimization – sourcing of raw materials	<p>The product is FSC labelled as standard with the exception of some executions.</p> <p>Recycled content: Post consumer 63,9 %, Pre consumer 0 %</p> <p>Manufactured in Tranås, Sweden</p>

### Building Design and Construction

MR Credit: Building product disclosure and optimization – sourcing of raw materials	<p>Recycled content: Post consumer 63,9 %, Pre consumer 0 %</p> <p>Manufactured in Tranås, Sweden</p>
MR Credit: Furniture and medical furnishings (healthcare)	<p>The product contains no or less than 100ppm hexavalent chromium, heavy metals, PFCs or PFOA, or added anti-microbial treatments.</p> <p>The product is FSC labelled as standard with the exception of some executions.</p> <p>Recycled content: Post consumer 63,9 %, Pre consumer 0 %</p>

### Building Operations and Maintenance

MR Credit: purchasing—facility maintenance and renovation

The product is FSC labelled as standard with the exception of some executions.

The product does not contain any substances on REACH Authorization or Candidate list.

Verified date: 2026-02-12